

# **Programmes After Market Services NHE-8/9 Series Transceivers**

## **Non Serviceable Accessories**

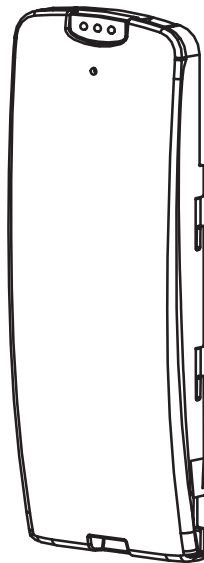
**CONTENTS**

Batteries for NHE-8/9 .....	3
Battery Pack BLJ-1 .....	3
Battery Pack BLJ-4 .....	4
Battery Pack BMH-1 .....	5
Battery Pack BMH-1V .....	6
Chargers for NHE-8/9 .....	7
Fast & Light Charger ACH-6 .....	7
Universal Mobile Charger LCH-6 .....	8
Fixed Mobile Charger LCM-1 .....	9
Power Cable PCM-5 .....	10
Desktop Stand CGD-8 .....	11
Handsfree Headset Kit HDXK-8 .....	12
Headset Adapter HDA-4 .....	12
Headset Adapter HDC-2 .....	13
Data accessories for NHE-8/9 .....	14
Data Card DTP-2 ver II .....	14
Infra Red Data Link JLC-1 and JLP-1 .....	14

## Batteries for NHE-8/9

### Battery Pack BLJ-1

The BLJ-1 is a Li-ion light battery back to provide an acceptable level of performance in a package (ie including phone) weighing 146 g.



### Product Code

Battery pack BLJ-1: 0670189 (*Made in Japan*)

### Specification

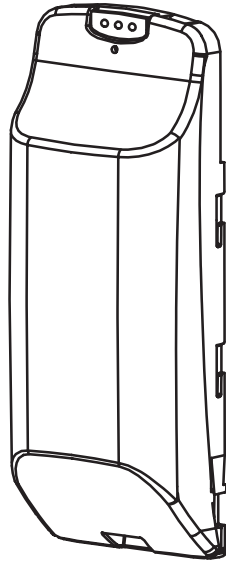
Dimensions (h x w x d): 120 x 42 x 10 mm

Weight: 48 g

Capacity: 400 mAh

## Battery Pack BLJ-4

The BLJ-4 Li-ion extended battery pack provides the best compromise between high performance and low weight. The extended package (including phone) weighs 204 g.



### Product Codes

Battery pack BLJ-4 :0670190 (*Made in Japan*)

### Specification

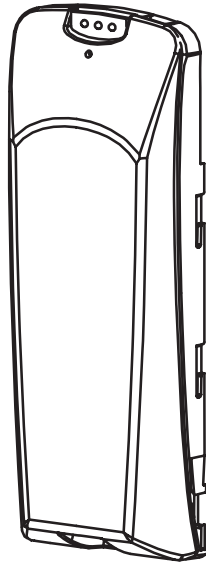
Dimensions (h x w x d): 120 x 42 x 22 mm

Weight: 106 g

Capacity: 1500 mAh

## Battery Pack BMH-1

The BMH-1 Ni-MH standard battery pack provides the best compromise between weight, price and performance for the average user. The package (i.e. including phone) weighs 183 g.



### Product Codes

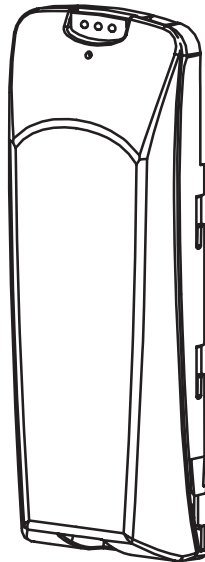
Battery pack BMH-1	:0670194 (made in Czech)
Battery pack BMH-1	:0670198 (made in China)
Battery pack BMH-1	:0670199 (made by Nokia)

### Specification

Dimensions (h x w x d):	120 x 42 x 14 mm
Weight:	85 g
Capacity:	550 mAh

## Battery Pack BMH-1V

The BMH-1V Ni-MH battery pack is identical to BMH-1 but with a vibrator option build in. The package (including phone) weighs 187 g.



### Product Codes

Battery pack BMH-1V: *0670200(made in Czech)*

### Specification

Dimensions (h x w x d): *120 x 42 x 14 mm*

Weight: *89 g*

Capacity: *550 mAh*

## Chargers for NHE-8/9

### Fast & Light Charger ACH-6

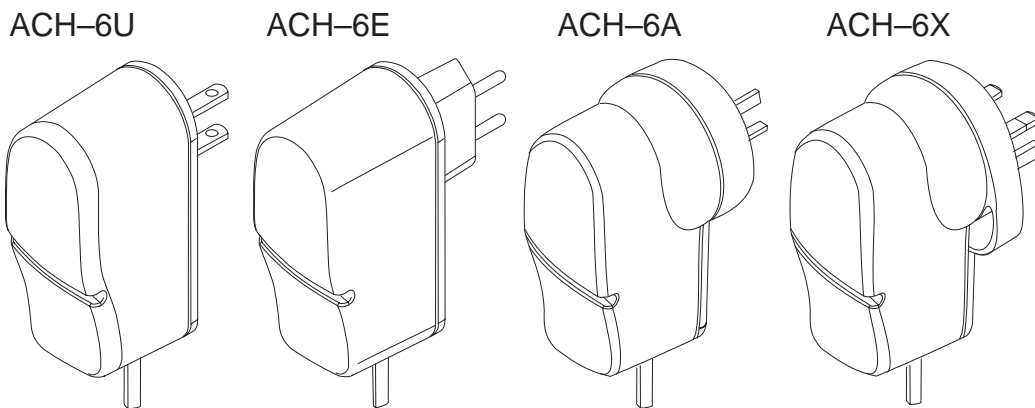
Extremely light, functionally designed fast & light charger charges your phone battery quickly.

Plug the charger into a wall outlet and connect the connector to the bottom of your phone. When not using the charger, you can wrap the cord around it and attach the loose end to the slot on top.

The charging time is approximately 45 minutes for the 470 mAh battery. Check the charging status on the phone display. You can use your phone also while charging.

Operating within voltage range 90 V...250 V AC (50 Hz...60 Hz), fast & light charger is practically current independent in normal office and household use. Like standard charger, fast & light charger is compatible with all battery options and is available with different wall plugs.

The fast & light charger can also be used with basic stand and desktop stand.



S0001161

### Product Codes

Fast & light charger ACH-6U (USA plug): 0675085

Fast & light charger ACH-6E (Euro plug): 0675084

Fast & light charger ACH-6A (Austr. plug): 0675086

Fast & light charger ACH-6X (UK plug): 0675087

Output cable PCC-1 (supplied with ACH-6): 0730076

## Specification

Dimensions (h x w x d):	<i>75 x 29 x 42 mm (without plug)</i>
Weight:	<i>&lt; 150 g</i>
Output cable length:	<i>1950 mm</i>
Mains plug type:	<i>see picture</i>
Output connectors:	<i>3.0 mm standard d.c. plug</i>
Protection:	<i>output current limiting, max. 870 mA output voltage limiting, max. 11 V (unloaded)</i>
Input voltage:	<i>90 to 250 V</i>

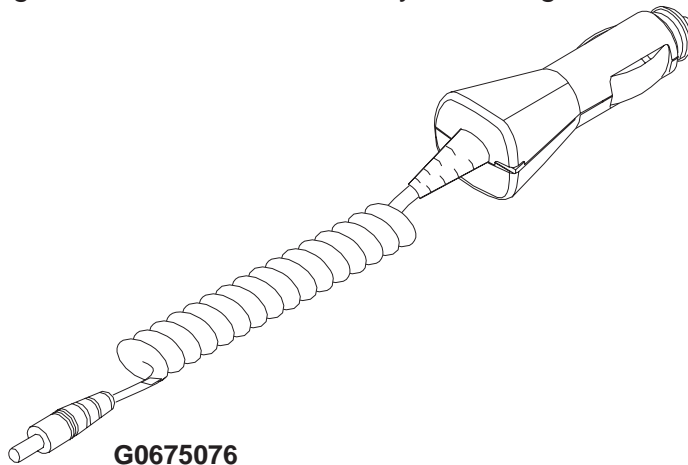
## Universal Mobile Charger LCH-6

The universal mobile charger ensures your phone is always ready for use wherever you travel. This small charger's functional design fits well to most car lighters and interiors.

A green light indicates that the cigarette lighter charger is ready for charging. Check the charging status on the phone display. The input voltage can be 12 or 24 V d.c., negative grounding.

Universal mobile charger can be used with all car accessories provided for your phone.

Avoid prolonged charging with universal mobile charger when the car engine is not running; this may cause the battery of your car to drain. Note also that in some cars the cigarette lighter plug is not provided with electricity if the ignition is switched off. Verify that the green led light is lit.



## Product Code

Universal mobile charger LCH-6: *0675076*



## Specification

Dimensions (h x w x d):	<i>29 x 35 x 84 mm</i>
Weight:	<i>&lt; 70 g</i>
Cable length:	<i>465 mm curly cable</i>
Connectors	
• input:	<i>D 21/23 mm • output: 3.0 mm standard d.c. plug</i>
Protection:	<i>input fused, output current limit</i>
Voltage	
• input:	<i>11.3...35 V</i>
• output (nominal):	<i>10.3 V</i>
Nominal output current:	<i>780 mA</i>
Charging into empty battery:	<i>&gt;= 300 mA</i>

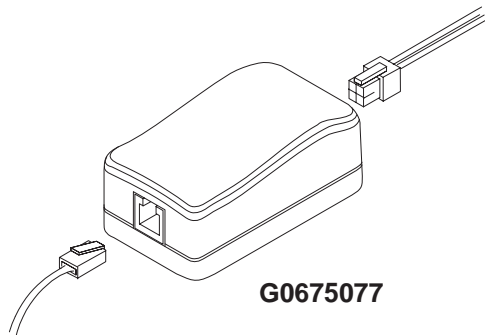
## Fixed Mobile Charger LCM-1

The fixed mobile charger powers your phone from the car battery when the ignition is switched on and leaves the cigarette lighter vacant.

You can use the fixed mobile charger in any vehicle with a 12 or 24 V d.c. connection, negative grounding.

The charging time for the 470 mAh battery is only about 45 minutes.

Fixed mobile charger housing has a four pin connector for power cable, and on the opposite end a connector for the output cable, which connects the fixed mobile charger directly to the d.c. connector of your phone or to the basic handsfree unit.



## Product Code

Fixed mobile charger LCM-1: *0675077*

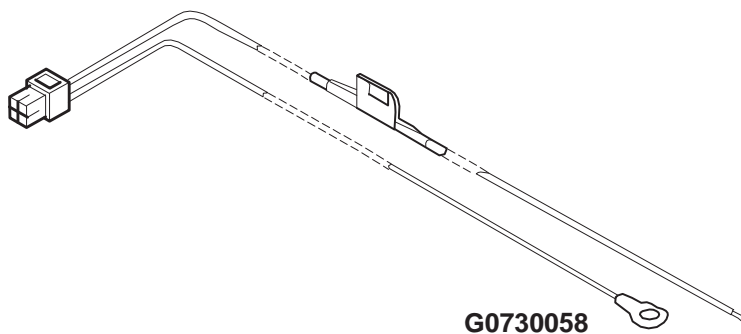
Output cable PCC-1 (supplied with LCM-1): *0730076*

## Specification

Dimensions (h x w x d):	<i>27 x 36 x 65 mm</i>
Weight:	<i>&lt; 70 g</i>
Output cable length:	<i>1950 mm</i>
Protection:	<i>input fused, output current limit</i>
Voltage	
• input:	<i>11.3...32 V</i>
• output (nominal):	<i>10.3 V</i>
Output current nominal:	<i>780 mA</i>
Charging into empty battery:	<i>&gt;= 300 mA</i>

## Power Cable PCM-5

The power cable connects the fixed mobile charger, LCM-1, to the vehicle's power supply. The red wire must be connected to the + voltage supply controlled by the vehicle's ignition key via the supplied fused connector. The black wire must be attached to a good negative GND connection.



## Product Code

Power cable PCM-5:	<i>0730058</i>
--------------------	----------------

## Specification

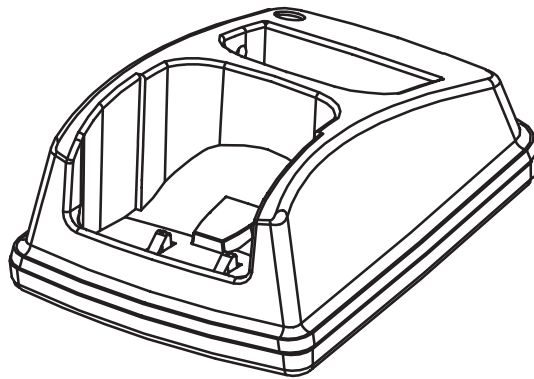
Weight:	<i>74 ± 5 g</i>
Cable length	
• red wire:	<i>2500 ± 100 mm</i>
• black wire:	<i>2000 ± 50 mm</i>
Max current via contacts:	<i>1 A</i>

## Desktop Stand CGD-8

The desktop stand provides mounting place for both the phone and a spare battery.

Charging order is the phone battery first, and then the spare battery. Check the charging status of the phone battery on the phone display.

Compatible with all battery options, the desktop stand is used together with the standard charger or fast & light charger.



### Product Code

Basic stand CGD-8:

*0675156 (Made in China)*

## Specification

Dimensions (h x w x d):	42 x 76 x 103 mm
Weight:	40 g
Connections:	3.0 mm d.c. jack
Charge control:	cell voltage (peak or negative change), time control, cell temperature
Operation input voltage:	9...16 V
Max. input current:	780 mA
Protection:	no damage if short circuit in output

## Handsfree Headset Kit HDXK-8

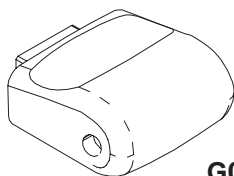
Compact and functional, headset kit HDXK-8 (headset adapter HDA-4, headset HDC-2 and carrying case CBM-11 ) provides you with a convenient handsfree facility which you can use anywhere.

Connect headset adapter HDA-4 to the bottom of your phone, and plug the headset HDC-2 to the adapter.

In car use, you can connect the headset directly to the basic handsfree unit. (The headset adapter is not required under this configuration.) When used with external antenna adapter, this combination provides you with handsfree operation, privacy and optimum reception quality. When the headset is connected, the HF loudspeaker and microphone are disabled.

## Headset Adapter HDA-4

The headset adapter provides connections between the headset, power supply and the phone. The adapter plugs into the base of the phone.



**G0694029**

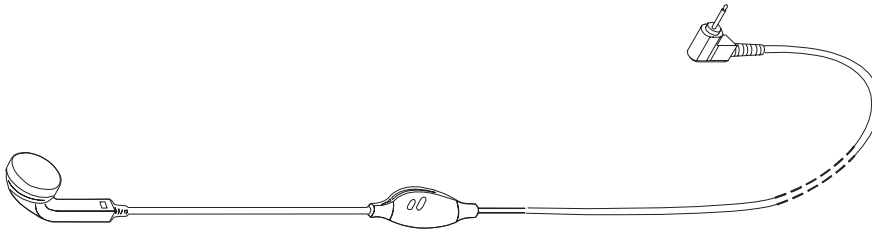
**Note:** When using the headset adapter, connect your charger to the adapter if you need to charge your phone.

## Product Code

Headset adapter HDA-4: 0694042

**Specification**

Dimensions (h x w x d):	<i>28 x 29 x 13.3 mm</i>
Weight:	<i>10 g</i>
Gain • microphone:	<i>33.5 dB</i>
• earphone:	<i>0 dB</i>
Sound pressure • microphone:	<i>-16...+3 dBPa (0 dBPa = 94 dB spl)</i>
• earphone:	<i>0 dBPa...+23 dBPa</i>
Level at headset connector: • microphone :	<i>1.3...11.6 mV</i>
• earphone:	<i>16...220 mV</i>

**Headset Adapter HDC-2****Product Code**

Headset HDC-2: *0694017*

**Specification**

Cord length :	<i>1500 ±50 mm</i>
Weight:	<i>13 g</i>
Microphone sensitivity:	<i>-46.5 ±5 dB (0 dB = 1 V/Pa at 1 kHz)</i>
Microphone directionality:	<i>Omni-directional</i>
Microphone supply voltage:	<i>5 V</i>
Earphone rated/max input:	<i>1 mW/5 mW</i>
Earphone sound pressure:	<i>106 ±5 dB (at 1 kHz, 1 mW)</i>
Impedance	
• microphone:	<i>max 2.2 kΩ at 1 kHz</i>
• earphone:	<i>32 ±7 Ω</i>

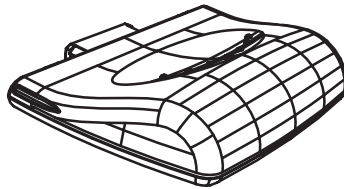
## Data accessories for NHE-8/9

### Data Card DTP-2 ver II

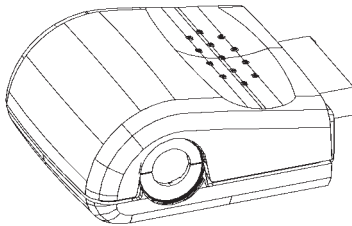
The DTP-2 ver II can be used with NHE-8/9.

### Infra Red Data Link JLC-1 and JLP-1

The JLP-1 infra red link offers a wireless alternative for the data cable between phone and the DTP-2. The link which uses infra red light as media consists of two modules: JLP-1 which connects to the bottom system connector of the phone, and JLC-1 which connects to the data cable IO connector of the PCMCIA card having IR support.



JLC-1



JLP-1